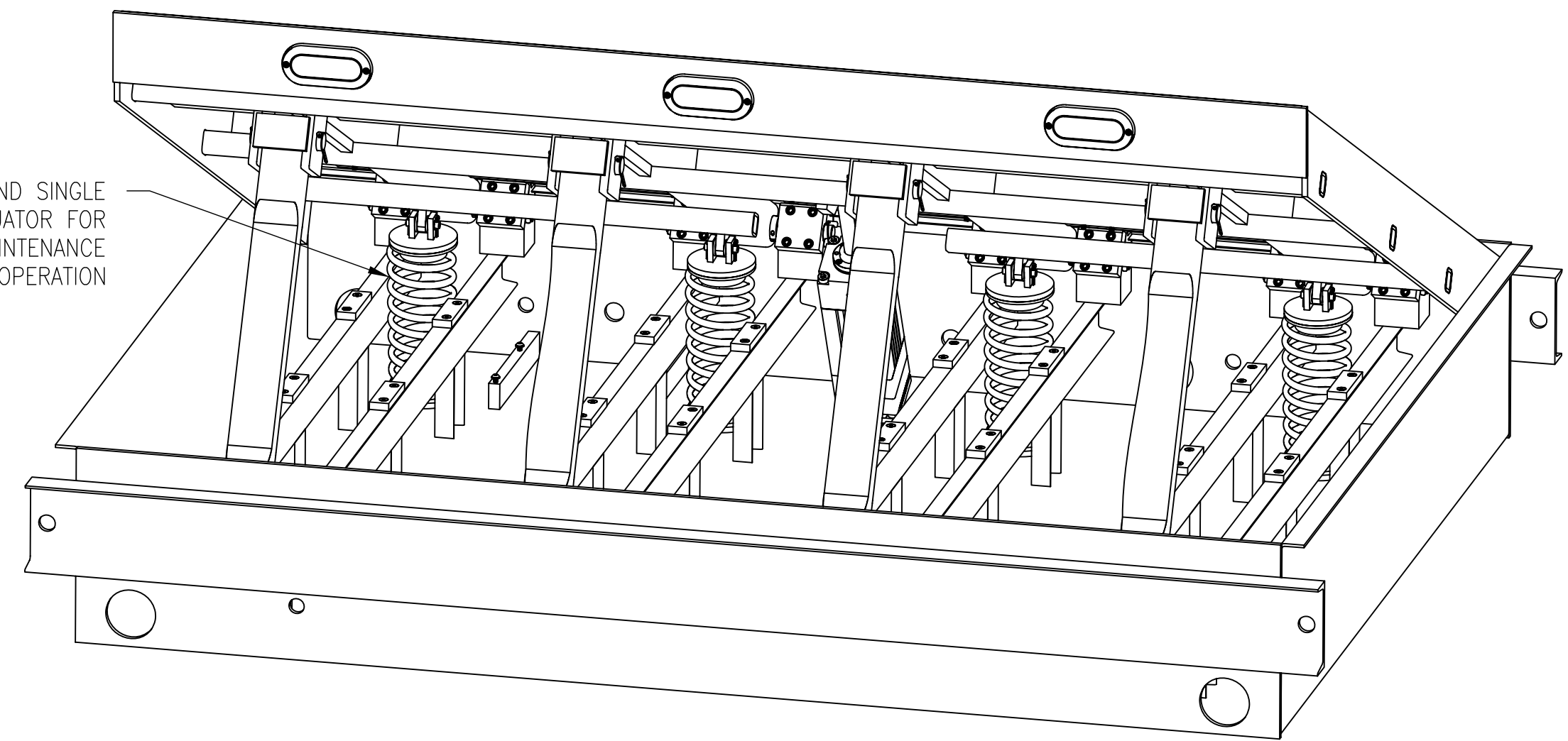


A
- **WEDGE BARRIER - PLAN VIEW**
SCALE: NTS

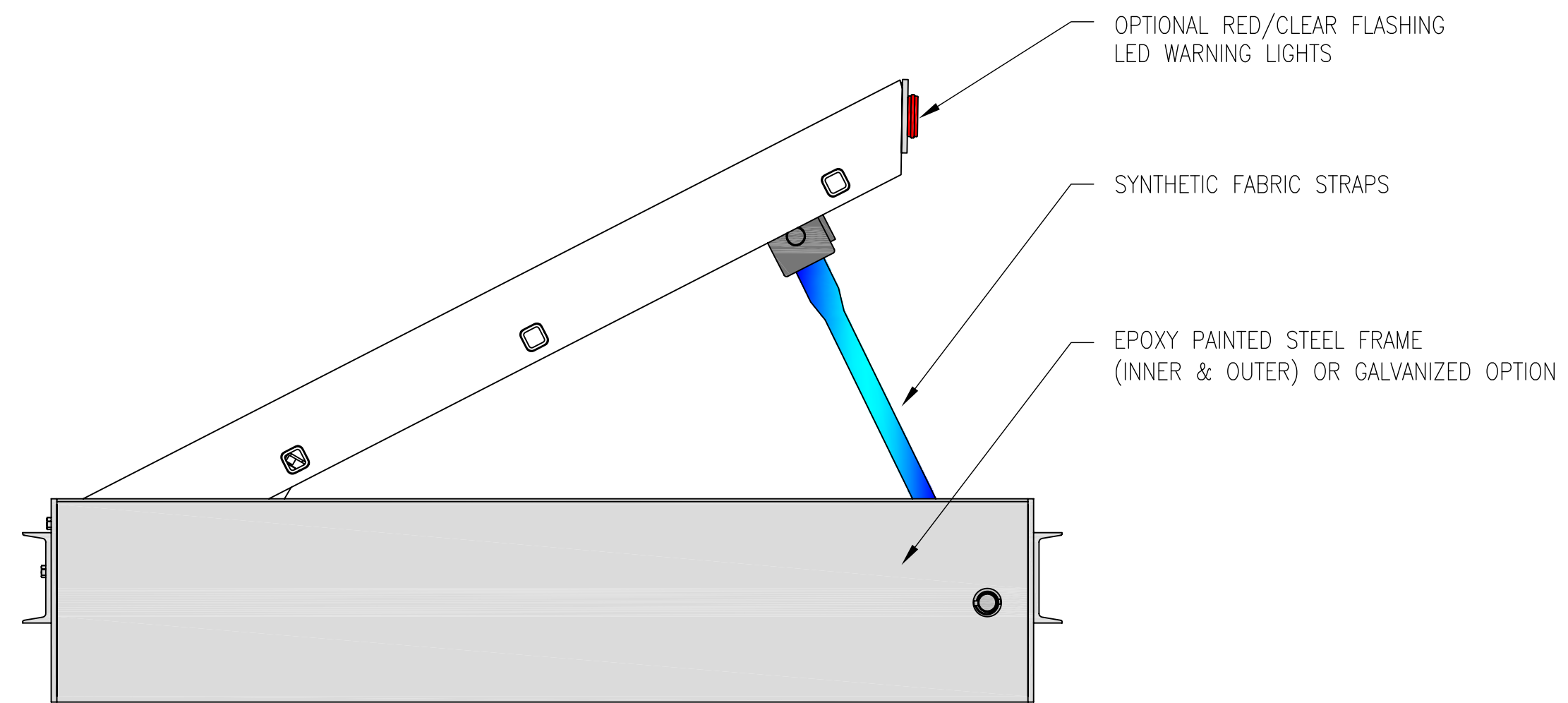
- GENERAL NOTES:**
1. AVAILABLE WIDTHS FROM 8' TO 15' WIDE IN 1' INCREMENTS.
 2. OPTIONAL BARRIER HEATER TO REMOVE SNOW & ICE AVAILABLE.
 3. OPTIONAL SUMP PUMP AVAILABLE IF REQUIRED PER SITE CONDITIONS.
 4. OPTIONAL, FULLY INTEGRATED TRAFFIC CONTROL HARDWARE (CARD READER, TRAFFIC SIGNALS, DROP ARMS, SIGNS & SIGNALS, ETC) AVAILABLE FOR INTEGRATION INTO BARRIER CONTROL PANEL.
 5. CONCRETE FOUNDATION NOT SHOWN FOR CLARITY. FOR FOUNDATION INFORMATION PLEASE CONTACT SMITH & WESSON SECURITY SOLUTIONS
 6. FULLY INTEGRATED, CUSTOM CONTROLS AVAILABLE. PLEASE CONTACT SMITH & WESSON SECURITY SOLUTIONS FOR MORE INFORMATION

- ELECTRIC WEDGE BARRIER:**
1. BARRIER CONTROL PANEL SHOULD BE LOCATED WITHIN 60' OF BARRIER. OPTIONAL 100' DISTANCE AVAILABLE

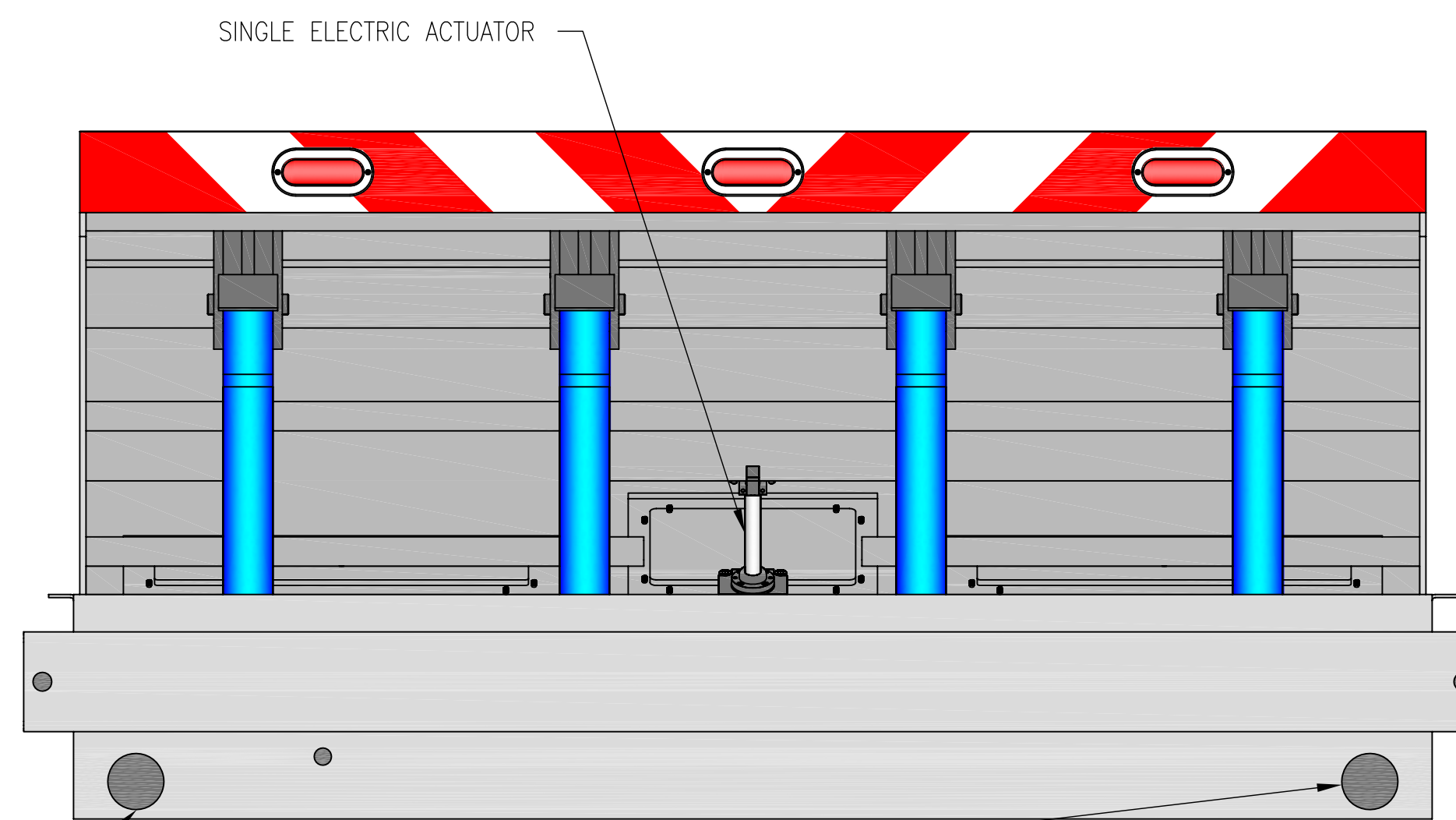
COIL SPRINGS AND SINGLE ELECTRIC ACTUATOR FOR EFFICIENT, LOW MAINTENANCE OPERATION



A3
- **WEDGE BARRIER - ISOMETRIC VIEW**
SCALE: NTS



A1
- **WEDGE BARRIER - SIDE ELEVATION**
SCALE: NTS



(4) 4" GRAVITY DRAIN (2 FRONT, 2 BACK)

A2
- **WEDGE BARRIER - FRONT ELEVATION**
SCALE: NTS

This work contains CONFIDENTIAL and PROPRIETARY information. It is to be used only for the project specified and is not to be reproduced, stored in a retrieval system, or transmitted in any form or by any means, electronic, mechanical, photocopying, recording, or by any information storage and retrieval system, without the express written permission of SMITH & WESSON SECURITY SOLUTIONS.

© COPYRIGHT 2011 SMITH & WESSON SECURITY SOLUTIONS
 WESSENER, THE COMPANY OR THE COMPANY OF THE COMPANY OR A PRODUCT PRODUCED BY THE COMPANY IS SUBJECT TO U.S. PATENT, TRADEMARK, AND/OR COPYRIGHT PROTECTION. ALL RIGHTS RESERVED. THERE ARE NO WARRANTIES OR REPRESENTATIONS OF MERCHANTABILITY OR FITNESS FOR ANY PARTICULAR PURPOSE. THIS DRAWING IS THE PROPERTY OF SMITH & WESSON SECURITY SOLUTIONS. ALL RIGHTS RESERVED. NO PART OF THIS DRAWING IS TO BE REPRODUCED OR TRANSMITTED IN ANY FORM OR BY ANY MEANS, ELECTRONIC OR MECHANICAL, INCLUDING PHOTOCOPYING, RECORDING, OR BY ANY INFORMATION STORAGE AND RETRIEVAL SYSTEM, WITHOUT THE EXPRESS WRITTEN PERMISSION OF SMITH & WESSON SECURITY SOLUTIONS.

DATE: 03/15/2011
 DRAWN BY: GB
 CHECKED BY: NTS
 SIZE: ANSI D
 DRAWING NUMBER: SW1900E

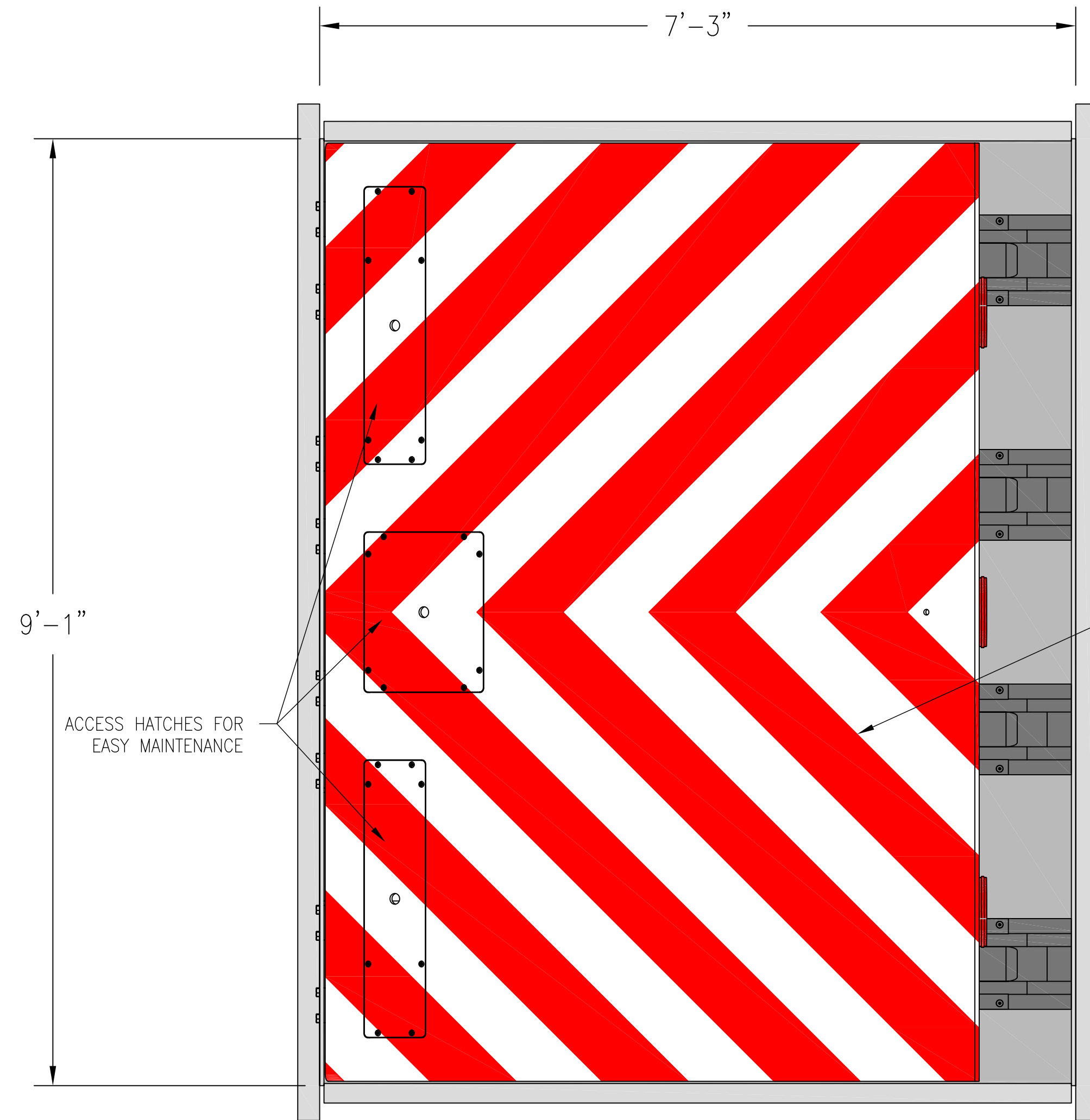
DATE: 03/15/2011
 SCALE: NTS
 REV: 0



SMITH & WESSON SECURITY SOLUTIONS
 TYPICAL 9' K12 ELECTRIC
 SW1900 SERIES WEDGE BARRIER

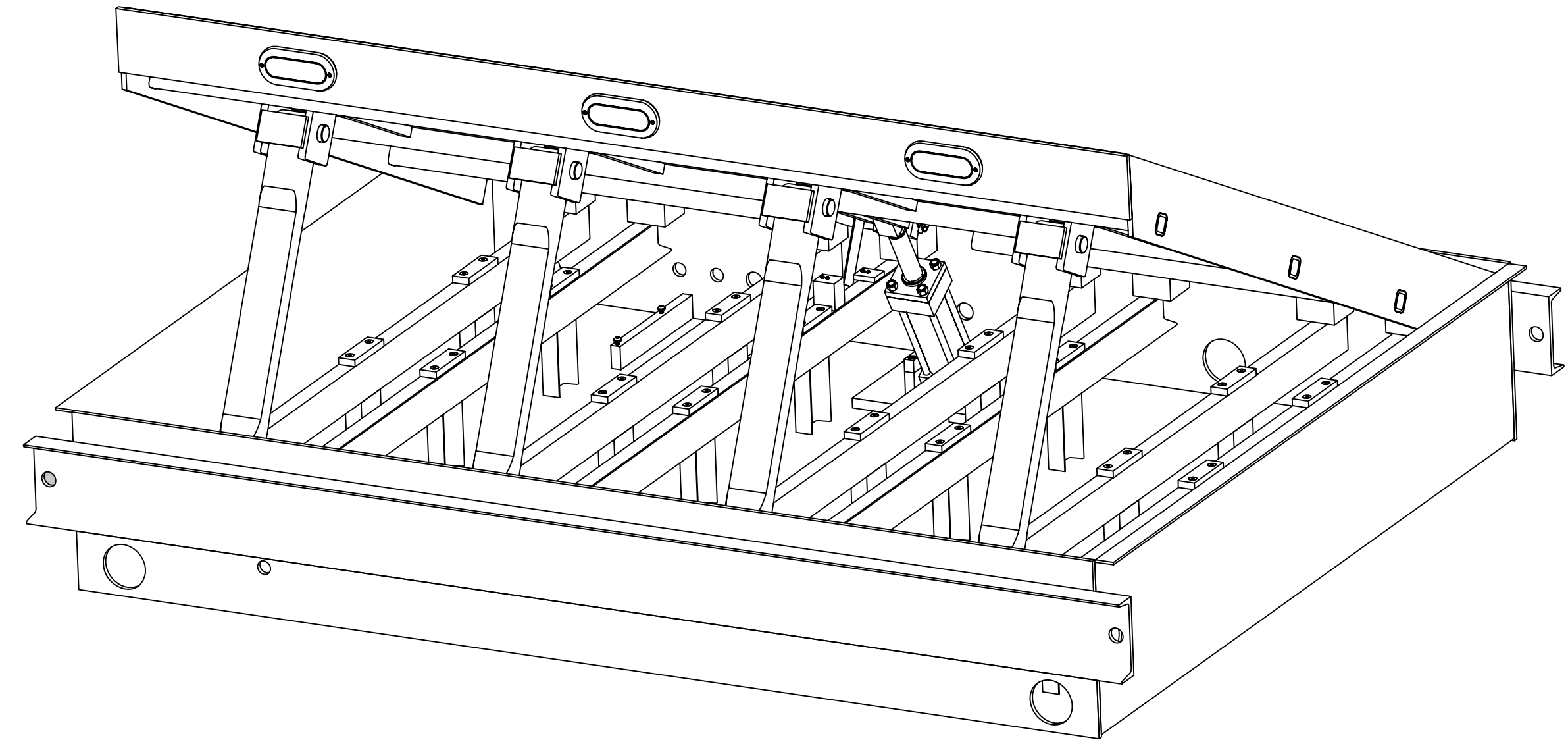
SHEET ID
 SW1900E
 SHEET:

REV	DATE	DESCRIPTION

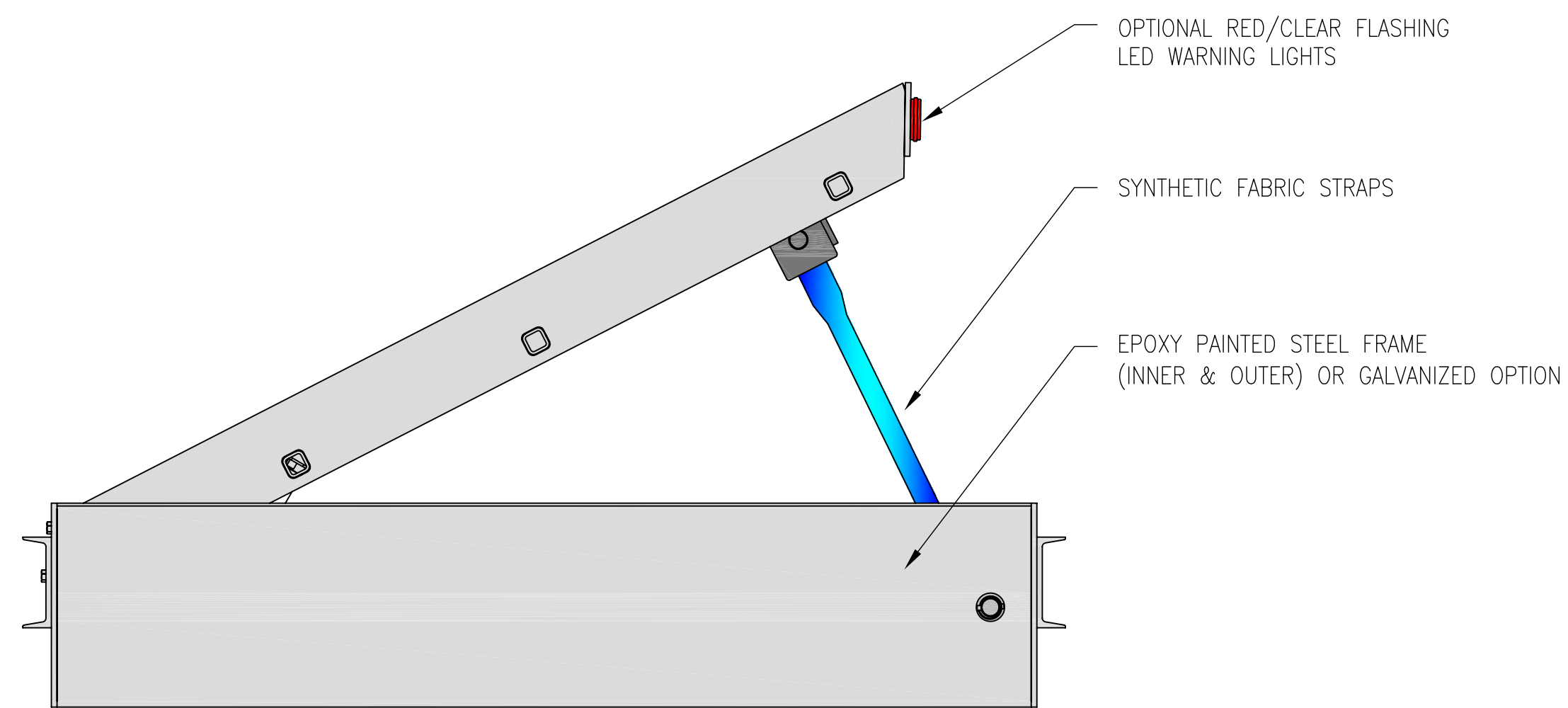


A
-
WEDGE BARRIER - PLAN VIEW
SCALE: NTS

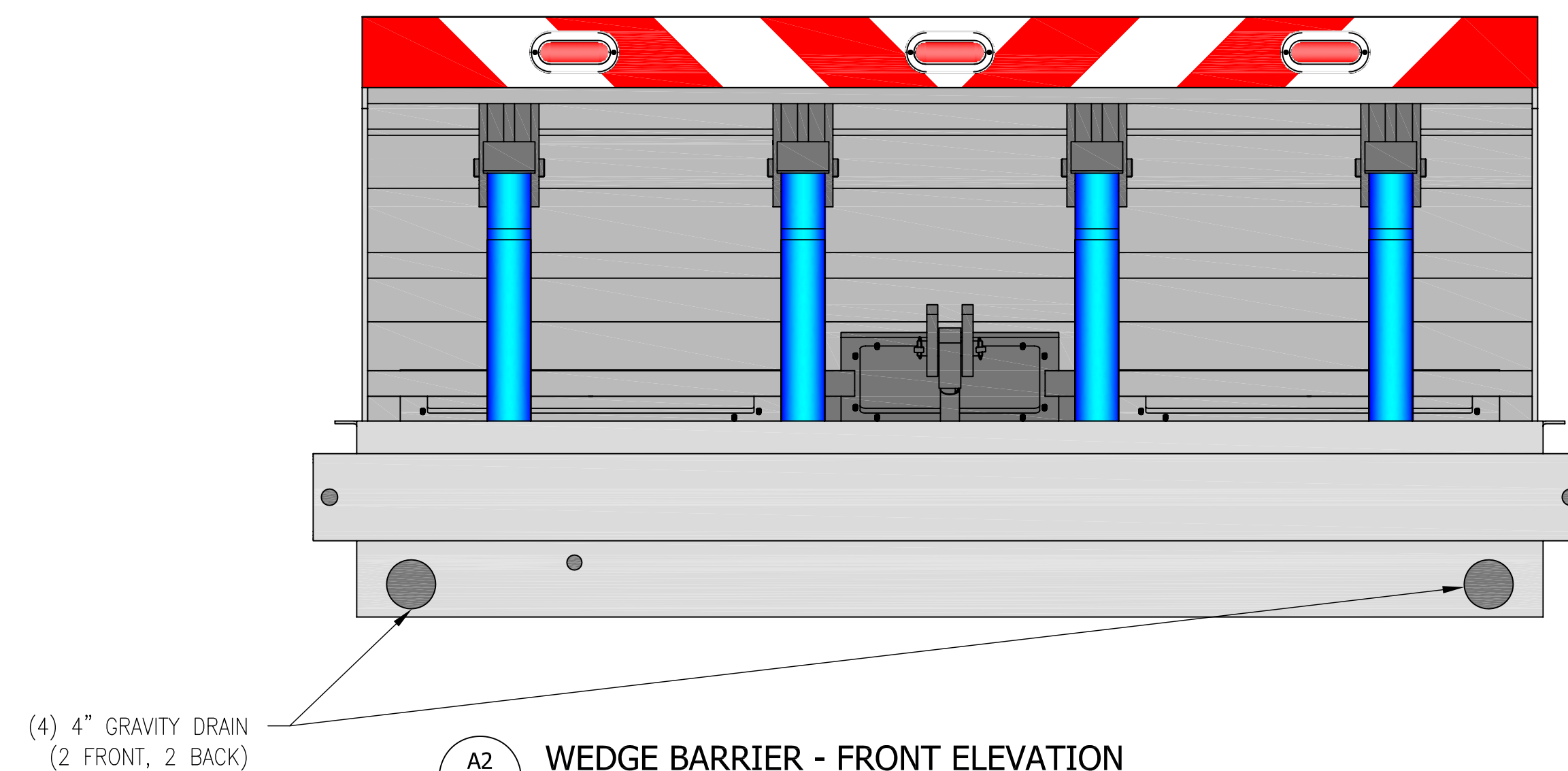
- GENERAL NOTES:**
1. AVAILABLE WIDTHS FROM 8' TO 15' WIDE IN 1' INCREMENTS.
 2. OPTIONAL BARRIER HEATER TO REMOVE SNOW & ICE AVAILABLE.
 3. OPTIONAL SUMP PUMP AVAILABLE IF REQUIRED PER SITE CONDITIONS.
 4. OPTIONAL, FULLY INTEGRATED TRAFFIC CONTROL HARDWARE (CARD READER, TRAFFIC SIGNALS, DROP ARMS, SIGNS & SIGNALS, ETC) AVAILABLE FOR INTEGRATION INTO BARRIER CONTROL PANEL.
 5. CONCRETE FOUNDATION NOT SHOWN FOR CLARITY. FOR FOUNDATION INFORMATION PLEASE CONTACT SMITH & WESSON SECURITY SOLUTIONS
 6. FULLY INTEGRATED, CUSTOM CONTROLS AVAILABLE. PLEASE CONTACT SMITH & WESSON SECURITY SOLUTIONS FOR MORE INFORMATION
- HYDRAULIC WEDGE BARRIER:**
1. HYDRAULIC POWER UNIT SHOULD BE LOCATED WITHIN 50' OF BARRIER. OPTIONAL 100' DISTANCE AVAILABLE



A3
-
WEDGE BARRIER - ISOMETRIC VIEW
SCALE: NTS



A1
-
WEDGE BARRIER - SIDE ELEVATION
SCALE: NTS



A2
-
WEDGE BARRIER - FRONT ELEVATION
SCALE: NTS

DATE:	SCALE:	REV:	DATE:	DESCRIPTION:
GB	NTS			
CHECKED BY:	ANSI D	DRAWING NUMBER:		
DATE:	SCALE:	REV:	DATE:	DESCRIPTION:
GB	NTS			
CHECKED BY:	ANSI D	DRAWING NUMBER:		

This work contains CONFIDENTIAL and PROPRIETARY information. It is to be used only for the project specified in the contract. Any other use, without the express written permission of SMITH & WESSON SECURITY SOLUTIONS, is prohibited.

© COPYRIGHT 2011 SMITH & WESSON SECURITY SOLUTIONS

SMITH & WESSON SECURITY SOLUTIONS
1200 N. 18TH STREET, SUITE 100
MILWAUKEE, WI 53233
TEL: 414.353.8200
WWW.SWSECURITY.COM



SMITH & WESSON SECURITY SOLUTIONS
TYPICAL 9' K12 HYDRAULIC
SW1900 SERIES WEDGE BARRIER

SHEET ID
SW1900H
SHEET: